

The
United
States
of
America



**The Director of the United States
Patent and Trademark Office**

Has received an application for a patent for a new and useful invention. The title and description of the invention are enclosed. The requirements of law have been complied with, and it has been determined that a patent on the invention shall be granted under the law.

Therefore, this

United States Patent

Grants to the person(s) having title to this patent the right to exclude others from making, using, offering for sale, or selling the invention throughout the United States of America or importing the invention into the United States of America, and if the invention is a process, of the right to exclude others from using, offering for sale or selling throughout the United States of America, or importing into the United States of America, products made by that process, for the term set forth in 35 U.S.C. 154(a)(2) or (c)(1), subject to the payment of maintenance fees as provided by 35 U.S.C. 41(b). See the Maintenance Fee Notice on the inside of the cover.

Michelle H. Lee

Deputy Director of the United States Patent and Trademark Office



US008876665B1

(12) **United States Patent**
Isom

(10) **Patent No.:** **US 8,876,665 B1**
(45) **Date of Patent:** **Nov. 4, 2014**

(54) **NECK EXERCISE MACHINE FOR STANDING USE**

(75) Inventor: **Larry H. Isom**, Panora, IA (US)

(73) Assignee: **Conner Athletic Products**, Jefferson, IA (US)

(*) Notice: Subject to any disclaimer, the term of this patent is extended or adjusted under 35 U.S.C. 154(b) by 145 days.

(21) Appl. No.: **13/460,097**

(22) Filed: **Apr. 30, 2012**

(51) **Int. Cl.**
A63B 23/025 (2006.01)
A63B 21/06 (2006.01)
A63B 21/062 (2006.01)

(52) **U.S. Cl.**
USPC **482/10**; 482/93; 482/100

(58) **Field of Classification Search**
USPC 482/10, 92-94, 97-101, 133-137, 139, 482/142
See application file for complete search history.

(56) **References Cited**

U.S. PATENT DOCUMENTS

3,640,527	A *	2/1972	Proctor	482/100
4,278,249	A *	7/1981	Forrest	482/10
4,645,198	A *	2/1987	Levenston	482/10
4,768,779	A *	9/1988	Oehman et al.	482/10
5,554,089	A *	9/1996	Jones	482/97
5,722,921	A *	3/1998	Simonson	482/100
5,762,585	A *	6/1998	Jones et al.	482/8
5,984,836	A *	11/1999	Casali	482/10

6,312,365	B1 *	11/2001	Koenig	482/97
6,764,429	B1 *	7/2004	Michalow	482/51
7,104,926	B2 *	9/2006	Carlson	482/10
7,468,019	B2	12/2008	Zylstra	
7,670,269	B2 *	3/2010	Webber et al.	482/94
7,815,552	B2 *	10/2010	Dibble et al.	482/92
8,038,588	B2 *	10/2011	Hobson et al.	482/142
8,328,697	B2 *	12/2012	Farbshteyn	482/100
8,702,573	B2 *	4/2014	Hockridge et al.	482/100
2002/0045520	A1 *	4/2002	Lapcevic	482/97
2002/0107116	A1 *	8/2002	Schulz	482/97
2006/0160676	A1 *	7/2006	Sato	482/94
2007/0161470	A1 *	7/2007	Berryman	482/94
2008/0176722	A1 *	7/2008	Steffe	482/98
2010/0120590	A1 *	5/2010	Inaizumi	482/99
2010/0240504	A1 *	9/2010	Hobson et al.	482/94

OTHER PUBLICATIONS

Connor Athletic Products Sit Down Neck Machine, retrieved from the Internet: www.power-lift.com, Apr. 16, 2012 (1 page).

* cited by examiner

Primary Examiner — Stephen Crow

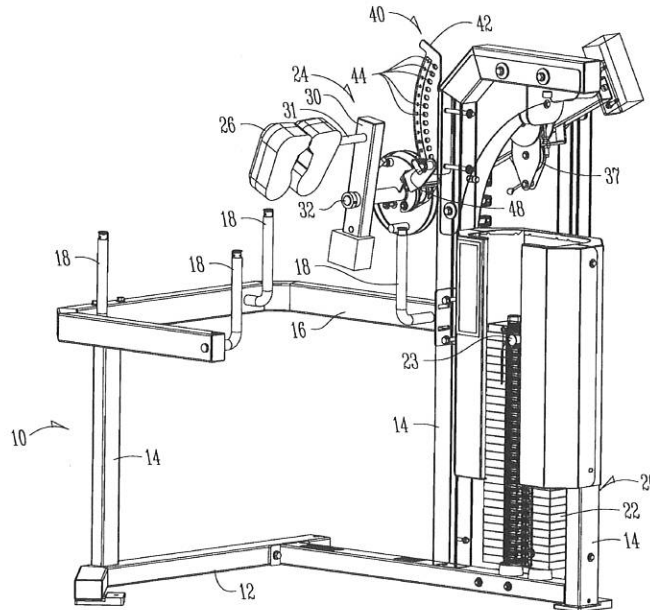
Assistant Examiner — Garrett Atkinson

(74) *Attorney, Agent, or Firm* — McKee, Voorhees & Sease

(57) **ABSTRACT**

A neck exercise machine is provided for standing use. The machine has a head pad which can be vertically adjusted to accommodate different user heights. The head pad is mounted on an arm, which is pivotally connected to the machine frame for movement about a first horizontal axis, so that the arm and head pad can be raised and lowered, and then locked in place for use. The head pad is connected to a cam for rotation about a second horizontal axis in use, with selected resistance.

21 Claims, 11 Drawing Sheets



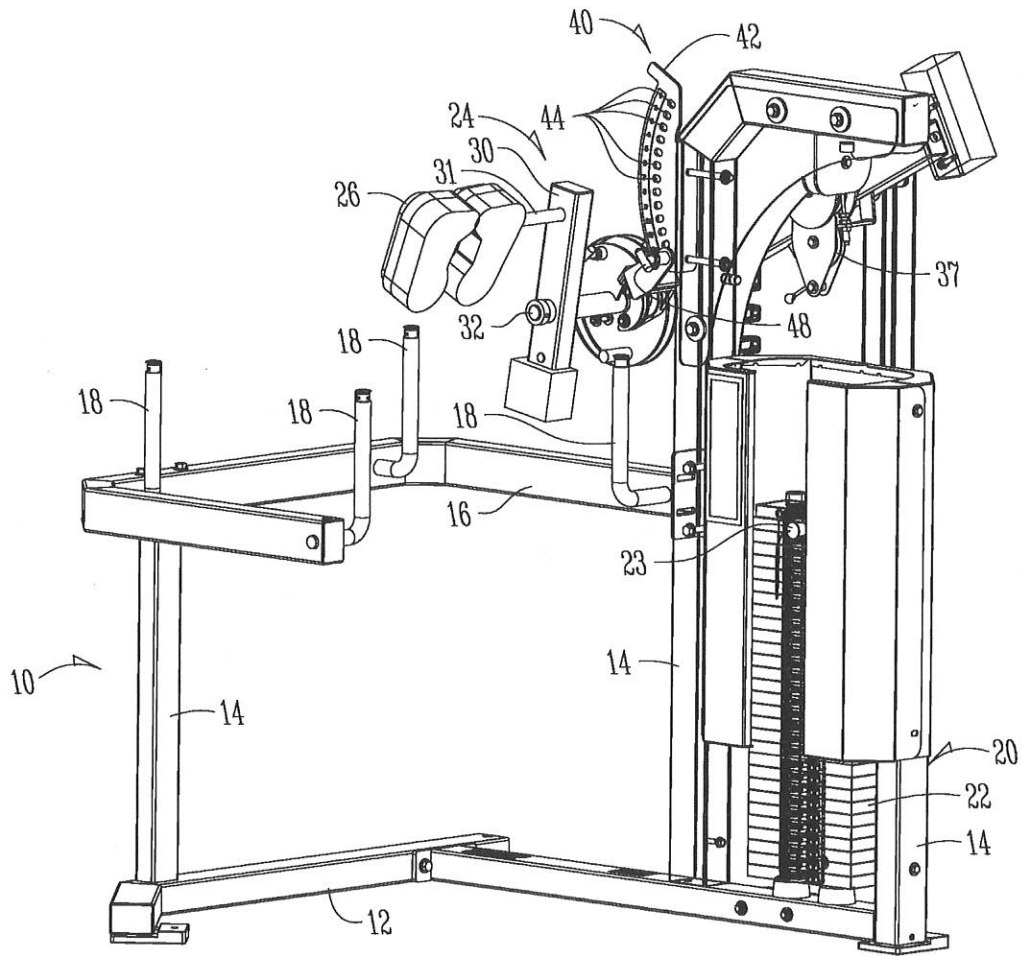


Fig. 1